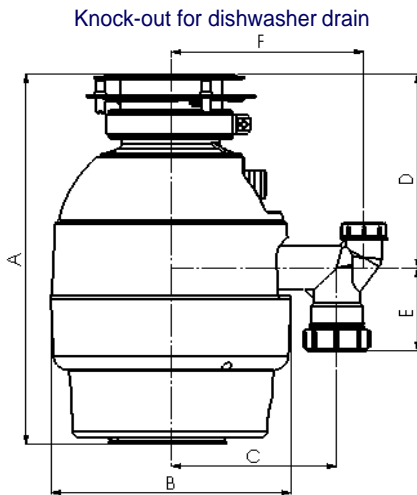


FWD-100SS-1



*Efficient, safety and reliable
Supreme grinding efficiency
Silent DC motor
Hygienic & convenient
Warranty 5-Year in-home service*



Measurements in Millimeters

A : 350	B : 205
C : 141	D : 175
E : 75	F : 165

Features

- 1 Horsepower with high-speed permanent magnet motor 6000r.p.m.
- Fast grinding technology
- Corrosion proof stainless steel
- Manual reset for overload protection
- Handy wall switch operation
- Easy and convenient installation
- Trendy and unique gun metal color
- With built in air switch

Specifications

- Motor Speed : 6000 rpm
- Horsepower : 1HP
- Voltage : 220 - 240V
- Frequency : 50Hz
- Current : 3.0 A
- Type of feed : Continuous
- Motor type : Permanent magnet DC motor
- Sound shell : Yes
- Overload protection : Manual reset
- Individual shipping weight : 6.0 kg

Materials

- Sink flange : Stainless steel
- Hopper : Glass filled nylon
- Swivel impeller : Stainless steel
- Grind ring : Stainless steel
- Turntable : Stainless steel

Optional accessories

- Lock Mount
- Sink Baffle
- Stopper
- Flange
- Plumbing Kit



The information above is for reference only, detailed specification is subject to final confirmation